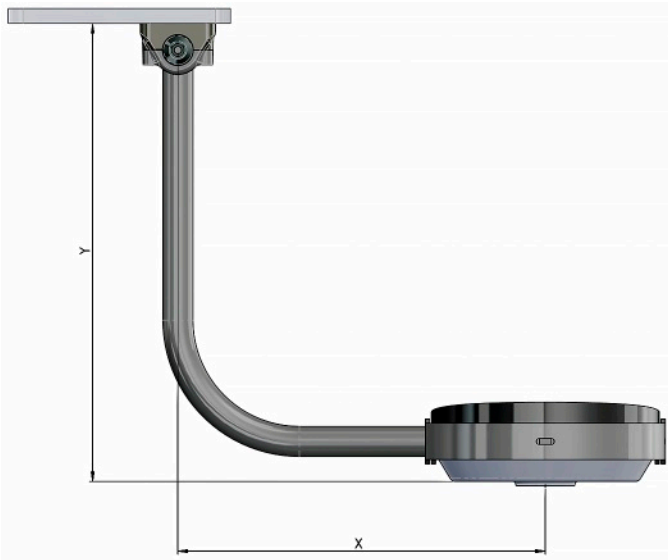


Foldable side table



Product information

Components for a foldable and rotating side table, for a chair.

Name	Product code
FST set	535 000

Specifications

- Components included in set:
 - 1pc Bearing housing art.nro 535101, incl. screws
 - 1pc Wedge art.nro. 336 951-W7-2400
 - 1pc Fastening disc art.nro. 336 951
 - 1pc metal shaft art.nro. 211 520-535, Ø20mm L150mm
 - 1pc 90° flatoval metal tube 40*2mm art.nro. 336 981, L315*255mm with welded metal shaft Ø2+mm L150mm
 - 1pc welded frame, art.nro. 535 110
- Material: raw metal and composite
- Color: black composite and raw metal
- REACH-compliant
- Set is delivered unassembled
- Tabletop not included

Options

- Lengths of flatoval tube
- Surface of metal parts powder coated black
- Off set for welded frame 38mm

Assembling instructions

- Ask for our assembly instructions

