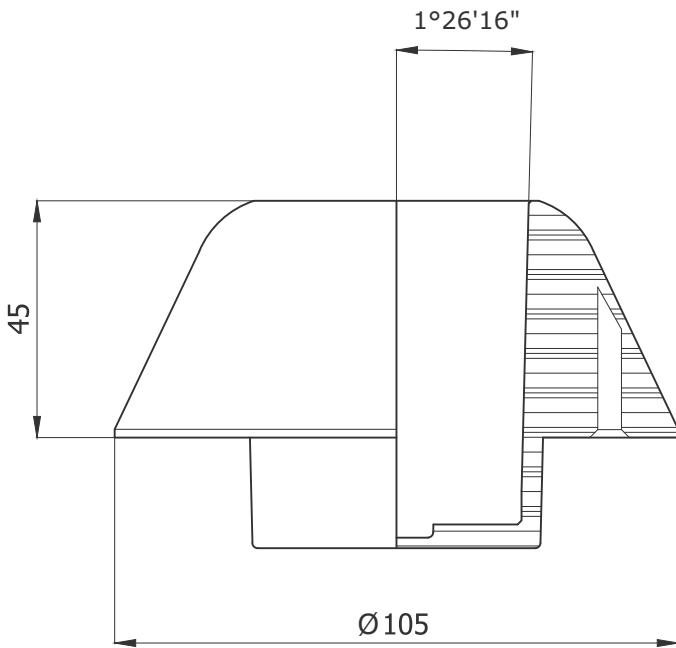


# Uluru Column



## Product information

Center column compatible with gas spring or metal pipe.

Name	Product code
Uluru	140 500

## Specifications

- Fitting for chair base with gas lift or metal pipe
- Material: composite
- Surface: sanded structure (imitation)
- Color: black
- Center hole angle: 1° 26' 16"
- Screws: included

## Options

- Center pillar gas spring or metal pipe

## Assembling instructions

- Max 21mm thread engagement depth
- Center column to be assembled to base with 3pcs Mekrapid screws 6.5\*40mm, insex 5mm. Please note that screws may have to be shorter if base is thin!
- Hole pattern for Column, Ø 80,0, 3pcs