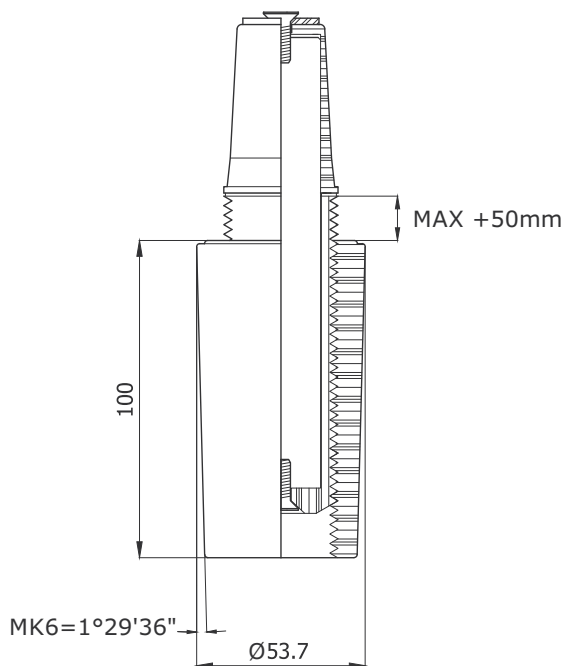


Senior Height Unit



Product information

Swivel unit for adjusting of chair seat height (at manufacturing stage). Ideal for customized senior or health care seating.

Name	Product code
Trombone Unit	430 100

Specifications

- Material: composite
- Color: black
- MK6 = 1°29'36" (=Patron swivel)
- Minimum height 0mm from swivel height
- Maximum height +50mm from swivel height
- REACH -Compliant

Options

- Upper cone
- See Cornet -, Patron - and Cylando Column pages
- 100mm or 140mm center shaft
- Also available with Combi-cone model



Assembling instructions

- Trombone is adaptable with Patron metal tubes, Cornet -, Patron and Cylando Columns
- Trombone is to be pressed into the Columns/pipes
- Do not use fastening screw between cone and female cone