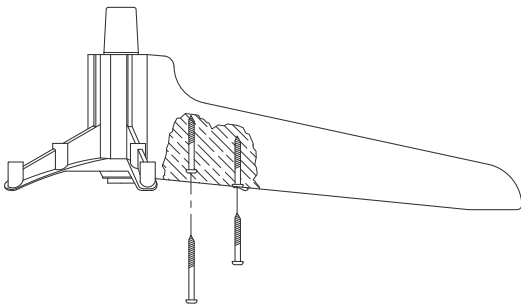
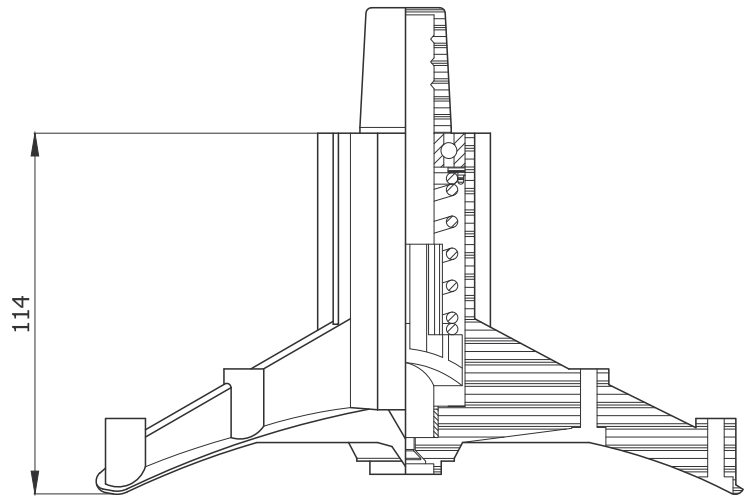


Octopus swivel



Assembling instructions

- Swivel to be assembled to footblades with 10pcs wooden screws: 5pcs 5.0*50/30 and 5pcs 5.0*60/36

Product information

Swivel available with automatic return mechanism, for five solid wooden footblades.

Name	Product Code
Octopus swivel	339 000
Automatic return >360°	

Octopus swivel	339 555
Rotation >360°	

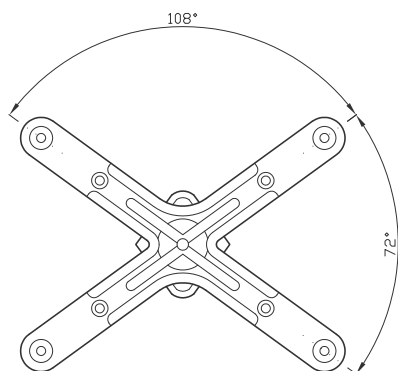
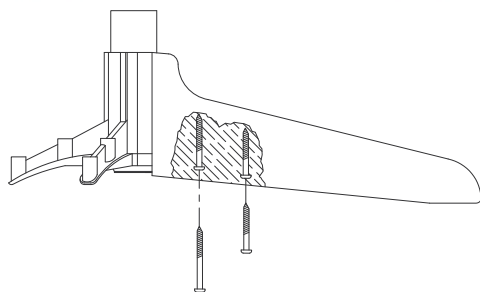
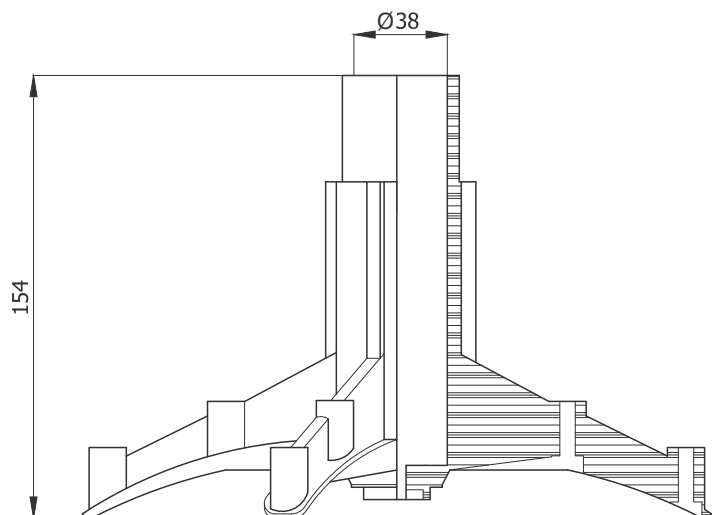
Specifications

- Swivel for five pcs solid wooden legs
- No visible screws
- Material: composite
- Color: black
- Screws included
- Patented

Options

- Upper cone
- Automatic return function: light, medium or heavy
- Drawings for solid footblades available
- Prototype footblade sample set available
- High precision cam

Octopus footstool



Assembling instructions

- Center to be assembled to footblades by 8pcs wooden screws: 8pcs 5,0*50/30

Product information

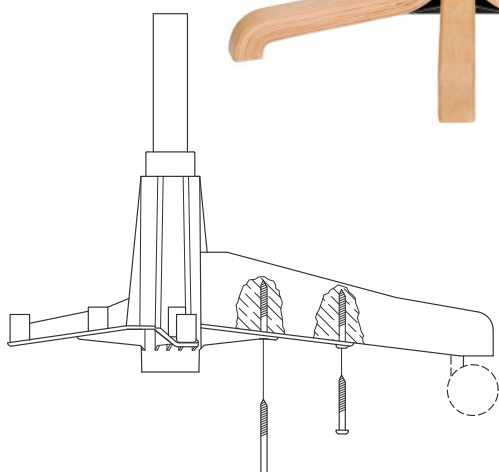
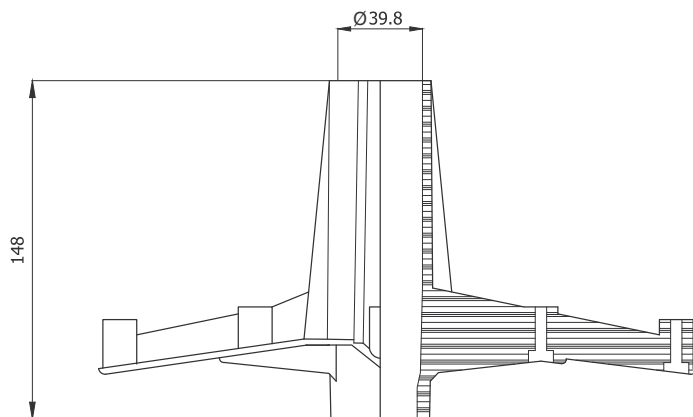
Center piece for chair footstool, for four solid wooden footblades.

Name	Product code
Octopus	339 500

Specifications

- Footstool center for 4pcs solid footblades
- No visible screws
- Material: composite
- Color: black
- Screws: included
- Patented
- Drawing for solid footblades available
- Prototype footblade sample set available

Office Column



Assembling instructions

- Swivel to be assembled to foot blades with 10pcs wooden screws: 5pcs 5,0*50/30 + 5pcs 5,0*60/36

Product information

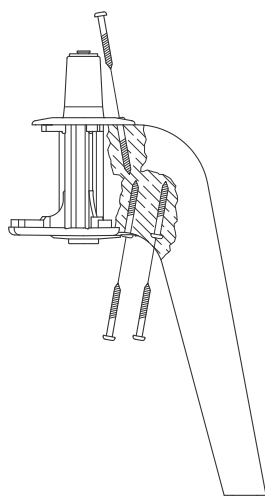
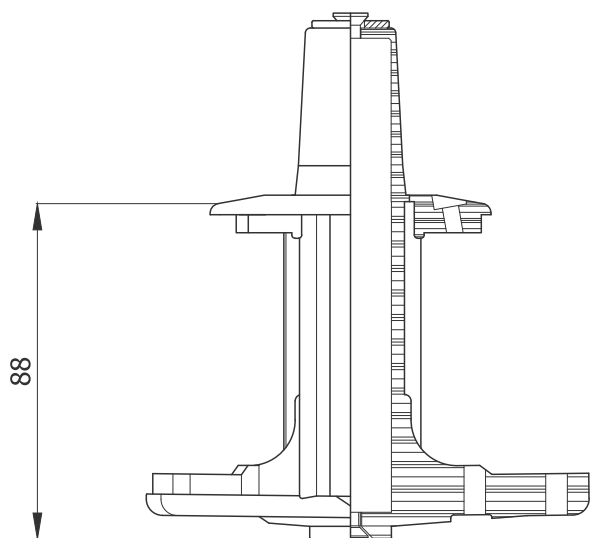
Center column for gas lift spring for chair with five veneer/solid wooden foot blades.

Name	Product Code
Office Column	334 000

Specifications

- Swivel for office chair base with five pcs solid wooden legs
- Center hole for e.g. gas lift spring, Ø39.8mm
- No visible screws
- Material: composite
- Color: black
- Screws included
- Patented
- Drawings for solid foot blades available

Ragno swivel



Assembling instructions

- Swivel to be assembled to foot blades by 15pcs wooden screws 5.0*x, length depending on foot blade model

Product information

Swivel for Japanese dining chair with five solid wooden foot blades.

Name	Product code
Ragno	369 000

Specifications

- Footstool center especially designed for Japanese dining chairs with 5pcs solid foot blades
- No visible screws
- Material: composite
- Color: black
- Patented
- Eurocone
- Drawing for solid foot blades available