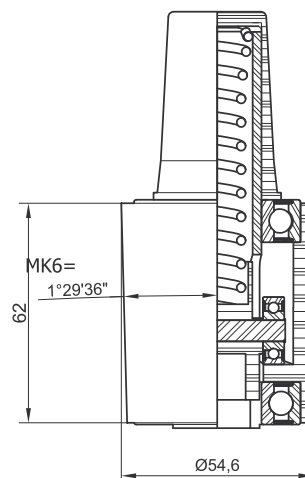


Piccolo swivel



Assembling instructions

- The whole swivel body requires the support of a conical metal tube (or equal support) with minimum length/height of 70mm
- 1a: Swivel to be assembled in a conical metal tube of Ø50.8mm (t=2mm)
- 1b: Swivel to be assembled upside down in a metal tube Ø44.5mm (t=2mm). Female Bushing (Eurocone or GAScone) needed
- Ask for our assembly instructions
- Do not use fastening screw between upper cone and female cone

Product information

Swivel available with automatic return mechanism, adaptable for conical metal tubes Ø50.0-50.8mm and Ø44.5mm.

Name Piccolo swivel, Automatic return >360° with stability washer	Product code 510 000 510 000W
Name Piccolo swivel, rotating >360°	Product code 555 000

Specifications

- Material: POM
- Color: black
- MK6 = 1°29'36"
- REACH -compliant

Options

- Upper cone