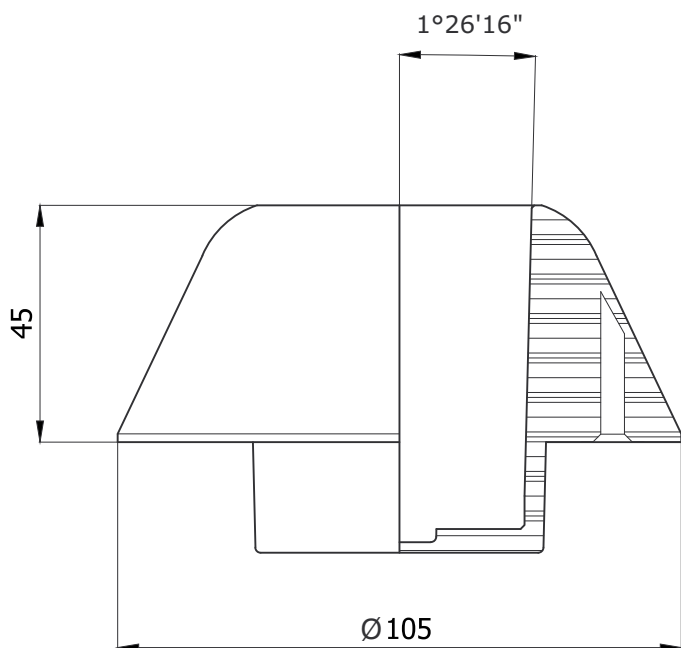


Uluru Column



Inspiration & Assembling



Assembling instructions

- Center column to be assembled to base with 3pcs Mekrapid screws 6.5*40mm, inset 5mm. Please note that screws may have to be shorter if base is thin!
- Hole pattern for Column, see page 33 Technical Details

Product information

Center column compatible with gas spring or metal pipe.

Name	Product code
Uluru	140 500

Specifications

- Fitting for chair base with gas lift or metal pipe
- Material: composite
- Surface: sanded structure (imitation)
- Color: black
- Center hole angle: 1° 26' 16"
- Screws: included

Options

- Center pillar gas spring or metal pipe