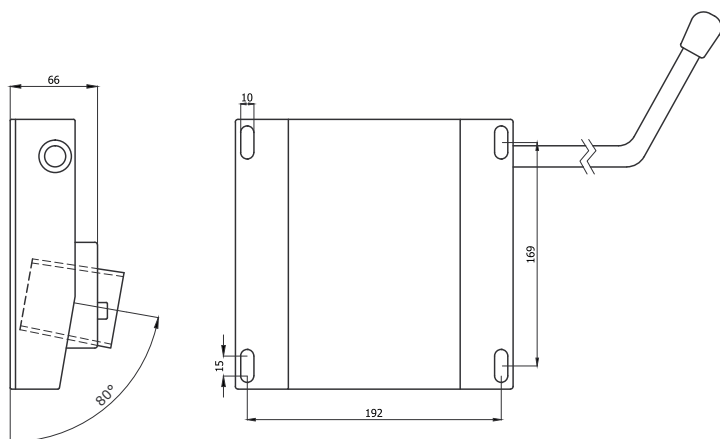


Tilt mechanism for Piccolo swivel



Inspiration & Assembling



Product information

Tilt with locking mechanism, available with Piccolo swivel and automatic return mechanism.

Name	Product code
Tilt mechanism for Piccolo swivel	X10510

See also page 12 Piccolo swivel for more information!

Specifications

- Material: metal
- Color: black painted
- Cone type: Piccolo swivel up side down with Euro cone or Gas cone (not included)

Options

- Customized lever shape
- Lever surface chromed on request
- Other cone types on request
- Customized hole picture
- Customized fastening

Assembling instructions

- Assembling to wooden chair frame by screws