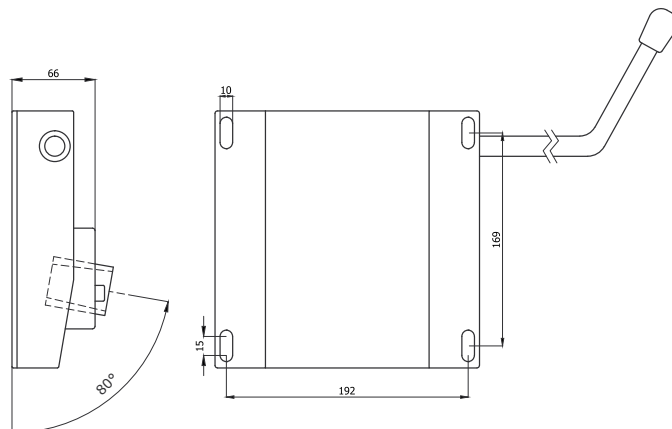
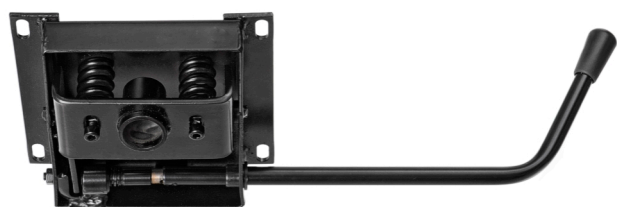


# Tilt mechanism



## Inspiration & Assembling



## Product information

Tilt with locking mechanism.

Name	Product code
Tilt mechanism	X10

## Specifications

- Material: metal
- Color: black painted
- Cone type: Eurocone standard

## Options

- Customized lever shape
- Lever surface chromed on request
- Other cone types on request
- Customized hole picture
- Customized fastening

## Assembling instructions

- Assembling to wooden chair frame by screws