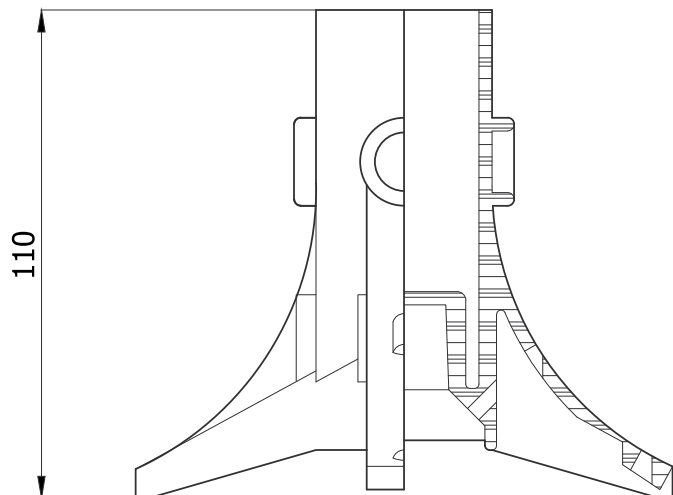
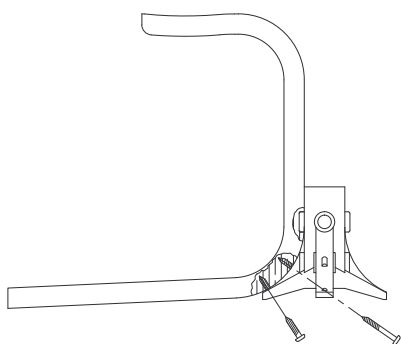


Tetra footstool



Inspiration & Assembling



Assembling instructions

- Center to be assembled to footblades by 4pcs wooden screws 5.0*25 and 4pcs 4.5*40/50mm

Product information

Center piece for chair footstool with four bended veneer footblades.

Name	Product code
Tetra	321 000

Specifications

- Footstool center for 4pcs bended veneer footblades
- Material: composite
- Color: black
- Screws: included
- Patented system
- No visible screws!

Options

- Drawing for bended veneer footblades available