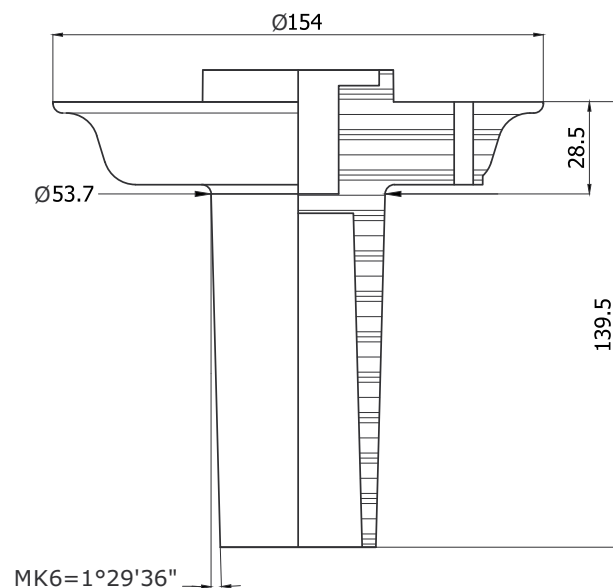


Stop Unit



Inspiration & Assembling



Assembling instructions

- Stop Unit could be combined with Cylando Column, Cornet Column, Patron Column and metal pipes 50/76,1mm
- Stop Unit to be fastened to chair seat/frame with
Alt.1: 6pcs wooden screws 5*50mm from above or
Alt.2: 6pcs M6*35mm from underneath
- Hole picture for swivel, see page 33 Technical Details

Product information

Center unit for non-swiveling chair seats.

Name	Product code
Stop Unit	351 951

Specifications

- Material: composite
- Color: black
- MK6 = 1°29'36" (=Patron swivel)

Options

- See pages metal pipes and Cylando -, Cornet - and Patron Column