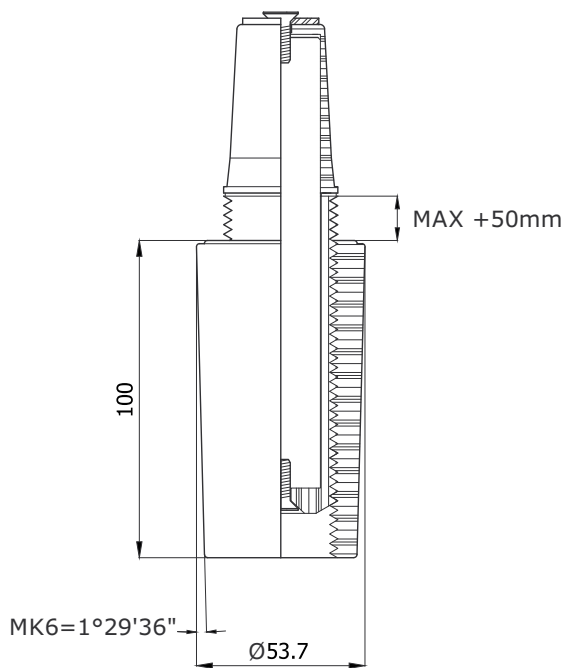


# Senior Height Unit



## Inspiration & Assembling



## Assembling instructions

- Trombone is adaptable with Patron metal pipes, Cornet -, Patron and Cylando Columns
- Trombone is to be pressed into the Columns/pipes

## Product information

Center unit for adjusting of chair seat height (at manufacturing stage). Ideal for customized senior or health care seating.

| Name          | Product code |
|---------------|--------------|
| Trombone Unit | 430 100      |

## Specifications

- Material: composite
- Color: black
- MK6 = 1°29'36" (=Patron swivel)
- Cone type: Eurocone
- Minimum height 0mm from swivel height
- Maximum height +50mm from swivel height

## Options

- See Cornet -, Patron - and Cylando Column pages
- 100mm or 140mm center shaft