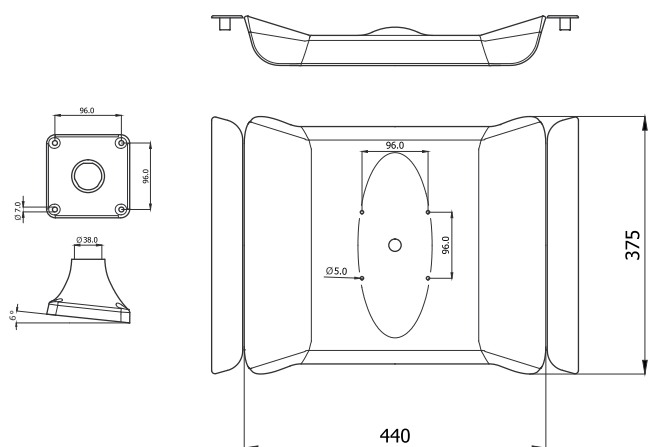


Skeleton



Inspiration & Assembling



Product information

Foot stool frame and angle adjuster console (0° /12°).

Name	Product code
Skeleton frame	541100
Skeleton console	541150

Specifications

- Material: composite
- Color: white
- Screws included

Options

- Assembling angle of frame/console, 0° or 12°
- See Cornet foot stool page
- See dark green pages "bases"

Assembling instructions

- Console to be assembled to frame by 4pcs Mekrapid screws 6,5*40
- Console to be fastened to footstool center by a Ø38*241mm, metal pipe
- Foam and upholster to be stapled to underside of Skeleton frame (to 6*16mm veneer ribs 2pcs l=37,1mm and 2pcs l=30,2mm)