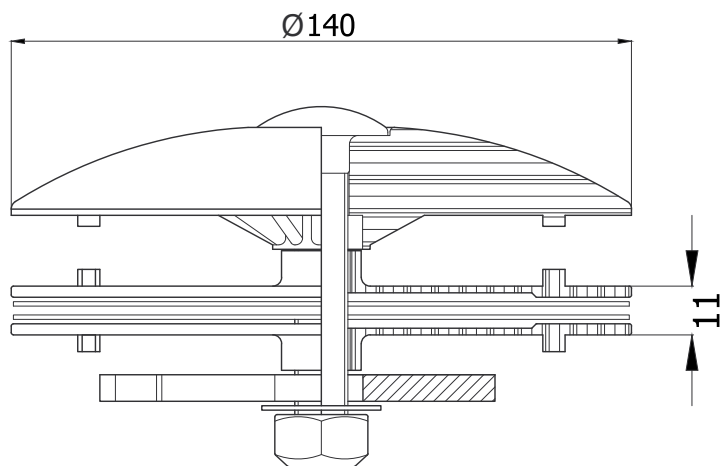
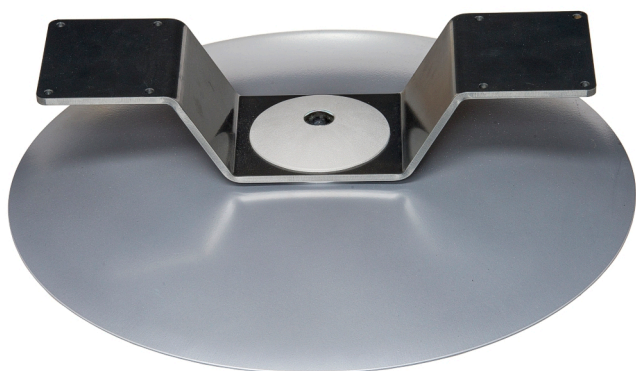


Radius swivel



Inspiration & Assembling



Assembling instructions

- Fittings for assembling: 1pc DIN603-8.8 M12*X, (screw length depending on construction), 1pc Washer Ø12,1/23,9 t=1mm and 1pc locking nut DIN980-M
- Hole pattern for swivel, see page 33 Technical Details

Product information

Low swivel for chairs, for chairs with side tables and for audio shelves.

Name	Product code
Radius swivel set, rotation 360°	380 000

Specifications

- Super low swivel, at lowest only 7mm!
- Material: composite
- Color: grey or black
- Surface: stone imitation

Options

- Underside fitting either Radius composite or metal washer
- Double Radius set could be used for a chair side table
- Also adaptable for rotating shelves etc!