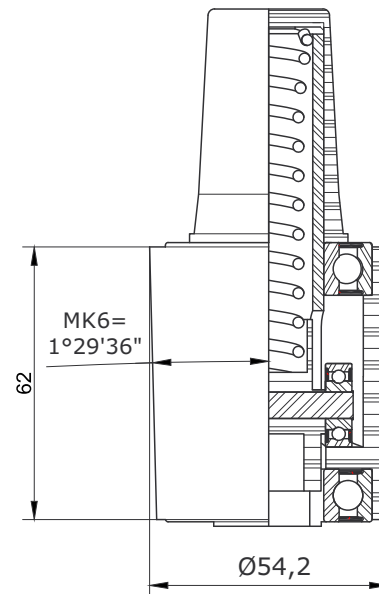


Piccolo swivel

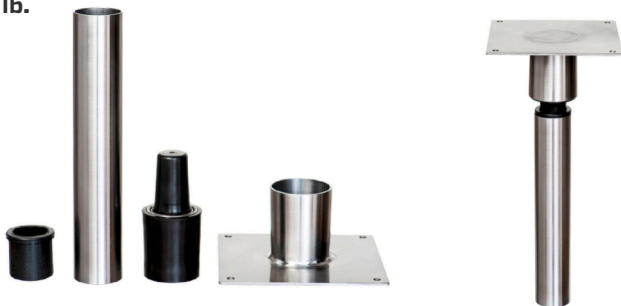


Inspiration & Assembling

1a.



1b.



Assembling instructions

- The whole swivel body requires the support of a conical metal pipe (or equal support) with minimum length/height of 70mm

1a: Swivel to be assembled in a conical metal pipe of $\text{Ø}50.8\text{mm}$ (t=2mm)

1b: Swivel to be assembled upside down in a metal pipe $\text{Ø}44.5\text{mm}$ (t=2mm). Female Bushing (Eurocone or GAScone) needed, see page 31 Technical Details!

Product information

Swivel available with automatic return mechanism, adaptable for conical metal tubes $\text{Ø}50.0\text{-}50.8\text{mm}$ and $\text{Ø}44.5\text{mm}$.

Name
Piccolo swivel,
Automatic return $>360^\circ$

Product code
510 000

Name
Piccolo swivel, rotating $>360^\circ$

Product code
550 000

Specifications

- Material: POM
- Color: black
- MK6 = $1^\circ29'36''$

Options

- Cones: Eurocone or Gascone
- Automatic return function: light, or medium
- Tilt mechanism page 47