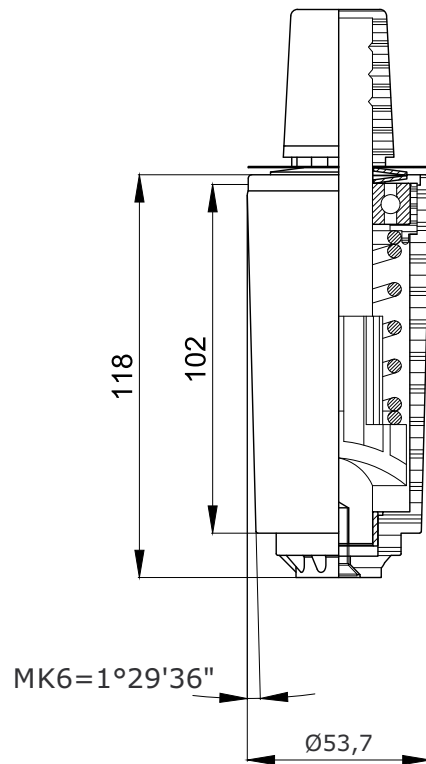


Patron Release swivel



Inspiration & Assembling



Assembling instructions

- swivel is to be assembled in a conical metal pipe
- the whole swivel body (102mm) needs the support of a metal pipe
- Patron Release could be combined with Patron column, Cylindo column and Cornet column

Product information

Automatic return swivel with release function. Swivel with automatic return mechanism, adaptable for conical metal tube $\varnothing 50$ - $\varnothing 50.8$ mm.

Name
Patron Release swivel
automatic return $>360^\circ$

Product code
351 000R

Specifications

- Material: metal and composite
- Color: black
- Patented function
- REACH-compliant and part of Svanen-labelled furniture pieces
- Release of auto-return function at approx. 20kg weight

Options

- Cone information: page 32
- Automatic return function: light, medium or heavy