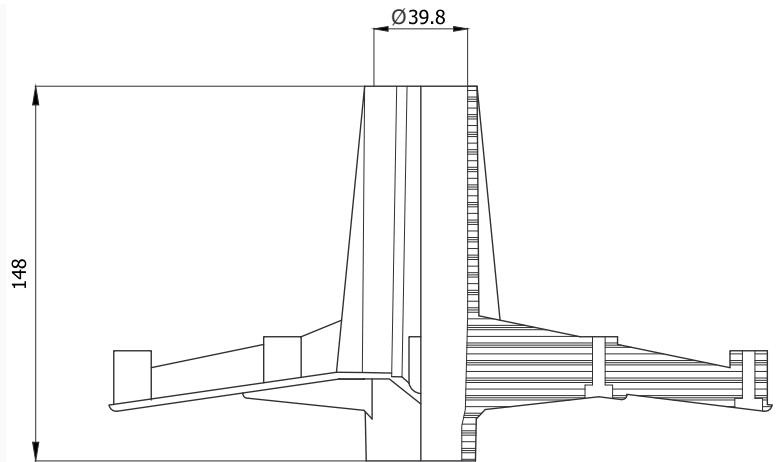
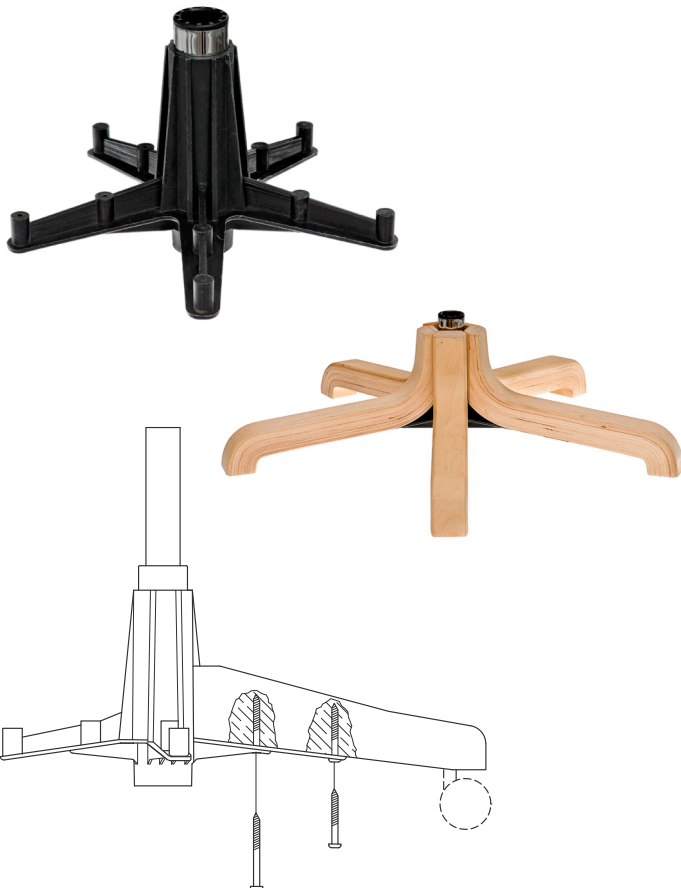


# Office Column



## Inspiration & Assembling



## Assembling instructions

- Swivel to be assembled to foot blades with 10pcs wooden screws: 5pcs 5,0\*50/30 + 5pcs 5,0\*60/36

## Product information

Center column for gas lift spring for chair with five veneer/solid wooden foot blades.

Name	Product Code
Office Column	334 000

## Specifications

- Swivel for office chair base with five pcs solid wooden legs
- Center hole for e.g. gas lift spring, Ø39.8mm
- No visible screws
- Material: composite
- Color: black
- Screws included
- Patented system

## Options

- Drawings for solid foot blades available