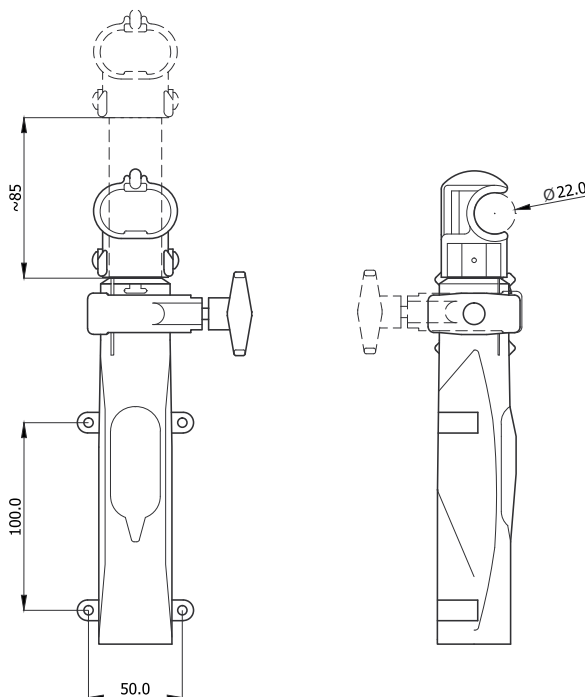


Linus glide



Inspiration & Assembling



Product information

Glide mechanism with adjustable friction.

Name	Product code
Linus glide mechanism	368 000

Specifications

- Material: composite
- Color: black
- Gliding function to be adjusted by a knob
- Screws included

Options

- Customized hook (fastening method to metal frame) on request

Assembling instructions

- Assembling to wooden console by 4pcs 5,0*40 screws
- Assembling to metal frame by pressing it into the hook
- Inclination preferably 18°

Assembling drawing

