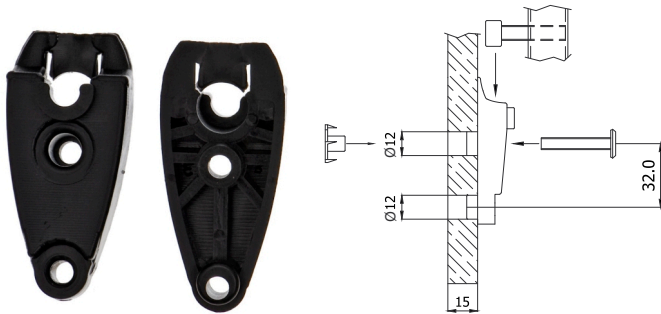
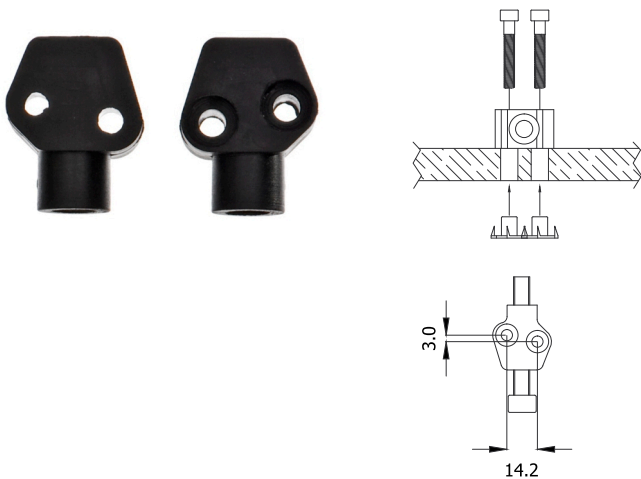


Hinges

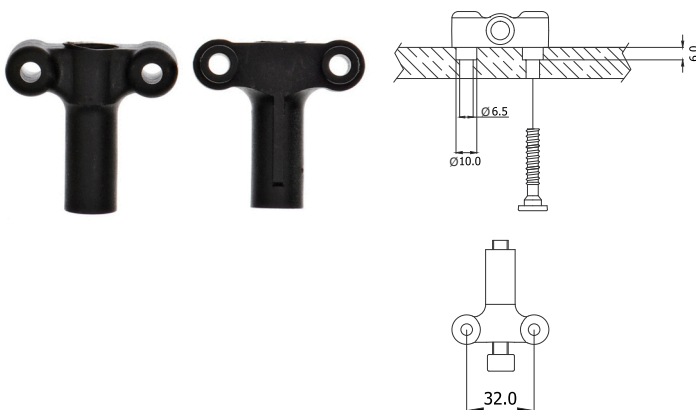
Formula hinge, for assembling to vertical frame component



Sugar Cube hinge, for assembling to horizontal frame component



ET hinge, for assembling to horizontal frame component



Product information

Product code

hinge set	368100
hinge set incl. screws	368100-S

Specifications

- Material: composite
- Color: black

Assembling instructions

To be fastened to chair veneer frame with 1pc M6*35 and 1pc M6 Tee nut with pronges, and to metal frame with 1pc M8*35-60 DIN912.

Product information

Product code

hinge set	368860
hinge set incl. screws	368860-S

Specifications

- Material: composite
- Color: black

Assembling instructions

To be fastened to veneer armrest with 2pcs screws M5*X and 2pcs M5 Tee nuts with pronges, and to metal frame with 1pc M8*X DIN912.

Product information

Product code

hinge set	368300
hinge set incl. screws	368300-S

Specifications

- Material: composite
- Color: black

Assembling instructions

To be fastened to veneer armrest with 2pcs Mekrapid screws 6,5 x 35-40mm and to metal frame with 1pc M8*X DIN. 912.