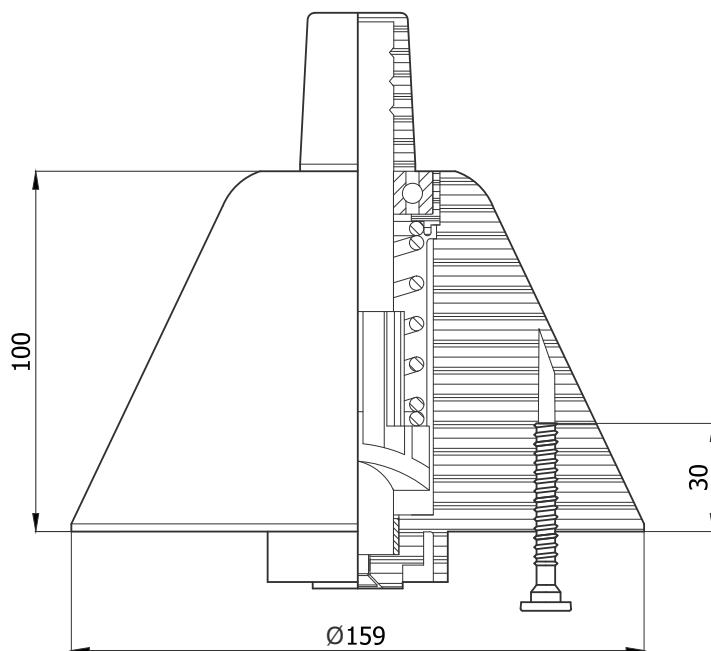


Ayers swivel



Inspiration & Assembling



Assembling instructions

- Swivel to be assembled to chair base with 6pcs Mekrapid screws 6,5*50, inset 5mm
- Hole pattern for swivel, see page 33 Technical Details

Product information

Swivel available with automatic return system for chair base.

Name	Product Code
Ayers swivel Automatic return >360°	140100

Ayers swivel Rotation >360°	150100
--------------------------------	--------

Specifications

- Material: composite
- Color: black
- Surface: sanded structure (imitation)
- Screws included
- Patented system

Options

- Cone information: page 32
- Automatic return function: light, medium or heavy